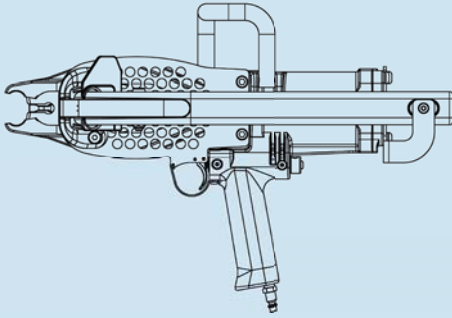




## F CL45 GABION TOOL

- Double grip ensures a non-slip handling and reduces fatigue
- Simple, rugged design to withstand the harshest conditions
- Special designed forceps for good ring closure
- Saves time and labour cost

## TOOL TYPE



F CL45 Gabion Tool

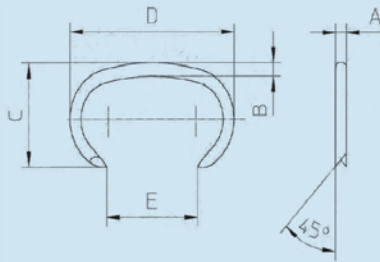
## TOOL CHARACTERISTICS

Height	Width	Length	Weight
370 mm	240 mm	510 mm	6.3 kg
14.57 inch	9.45 inch	20.01 inch	13,89 lbs

**Pressure** 5 - 6 bar | 72 - 87 psi

**Lubricant** Aerospace Lubricants Tribolube 12

## FASTENER DATA



<b>A x B: Flattening</b>	3.05 x 2.88 mm	.120 x .112 inch
<b>C) Height</b>	24 mm	.945 inch
<b>D) Outer Width</b>	45 mm	1 3/4 inch
<b>E) Inner Width</b>	25-29 mm	1 - 1 1/8 inch
<b>Magazine Capacity</b>	100pcs	
<b>Staple Type</b>	BECK CL45 Gabion Ring	

## VIBRATION VALUE

(UNI ISO/TS 8662-11)

is below the declaration limit set by UNI EN ISO 12100-1/2

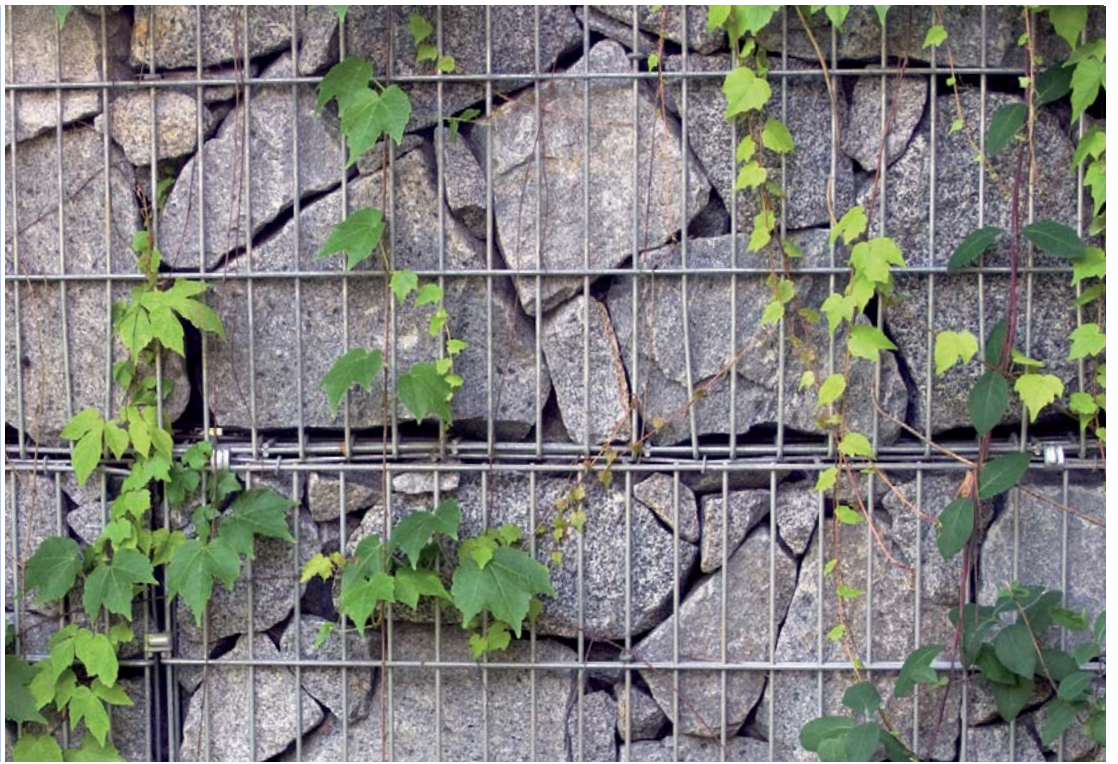
## ACTUATION & LOADING

**Loading\*** Side Loading

\*see instruction manual

## APPLICATIONS

- Gabion baskets, sacks or mattresses
- Lobster traps and other traps
- Rockfall nets

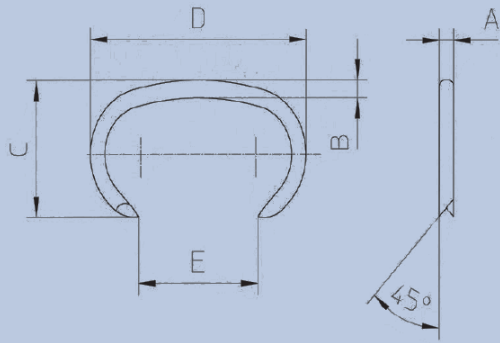


## SAFETY AND DURABILITY



## CL45

It is the great variety of applications that contributes to the growing popularity of our CL45 rings. No matter whether rockfall nets, bank reinforcements, noise barriers or lobster traps are involved – our CL45 rings always stand for durability and a long-life cycle. This premium product consists of first-class materials only and therefore provides your customer with the most excellent quality.



## CL45 (Gabion Rings)

<b>Diameter</b>	3,00 mm
<b>Strip length</b>	40 pcs.
<b>A x B: flattening</b>	3,05 x 2,88 mm
<b>C: height</b>	24 mm
<b>D: outer width</b>	45 mm
<b>E: inner width</b>	25-29 mm
<b>Point</b>	sharp (45° Divergent) for standard clinching applications or blunt (to reduce risk of injury)

## MATERIALS AVAILABLE

- **Galvanized Grade 3:** coating thickness min. 200 g/m<sup>2</sup>, tensile strength: 400-500 N/mm<sup>2</sup>
- **Heavy Galvanized:** coating thickness min. 275g/m<sup>2</sup>, tensile strength: min. 1700 N/mm<sup>2</sup>
- **Aluminum AlMg1.5:** Tensile strength: 250-280N/mm<sup>2</sup>
- **Stainless Steel:** Tensile strength: 1500-1700 N/mm<sup>2</sup>
- **GALFAN** (zinc (~95%) aluminum (~5%) alloy + mischmetal): coating thickness min. 200 g/m<sup>2</sup> according to EN 10244-2, tensile strength: 1750-1900 N/mm<sup>2</sup>

## STANDARDS & REGULATIONS

- Complies with ASTM A974-97 (one foot section) and A975-97 (one foot section)
- Complies with NF P94-325-1

## APPLICATIONS

- Gabion baskets, sacks or mattresses that are used for or as retaining walls, noise barriers, seawalls, roadside reinforcements, bank reinforcements, horticulture, landscape construction
- Lobster traps and other traps
- Rockfall nets

## TOOLS

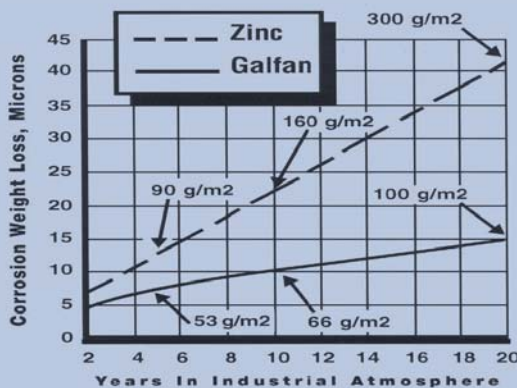
- **FASCO F CL45** (pneumatic)
- **MEIHO MC50** (pneumatic)



## TOOL CHARACTERISTICS

Height	Width	Length	Weight
370 mm	240 mm	510 mm	6.3 kg
14.57 inch	9.45 inch	20.01 inch	13,89 lbs

**Pressure** 5 - 6 bar | 72 - 87 psi



GALFAN's coated wire shows superior corrosion protection as compared with conventional galvanized coated wire. The figure on the left depicts the loss of zinc and Galfan in industrial atmospheres as measure of the relative corrosion resistance. The figure shows that the relative advantage of Galfan improves from 1.7 at five years exposure to 3.0 at the end of twenty years.