

FinishPro® 10

23 ga. Micro Pinner



Parts Reference Guide



Repair Kit

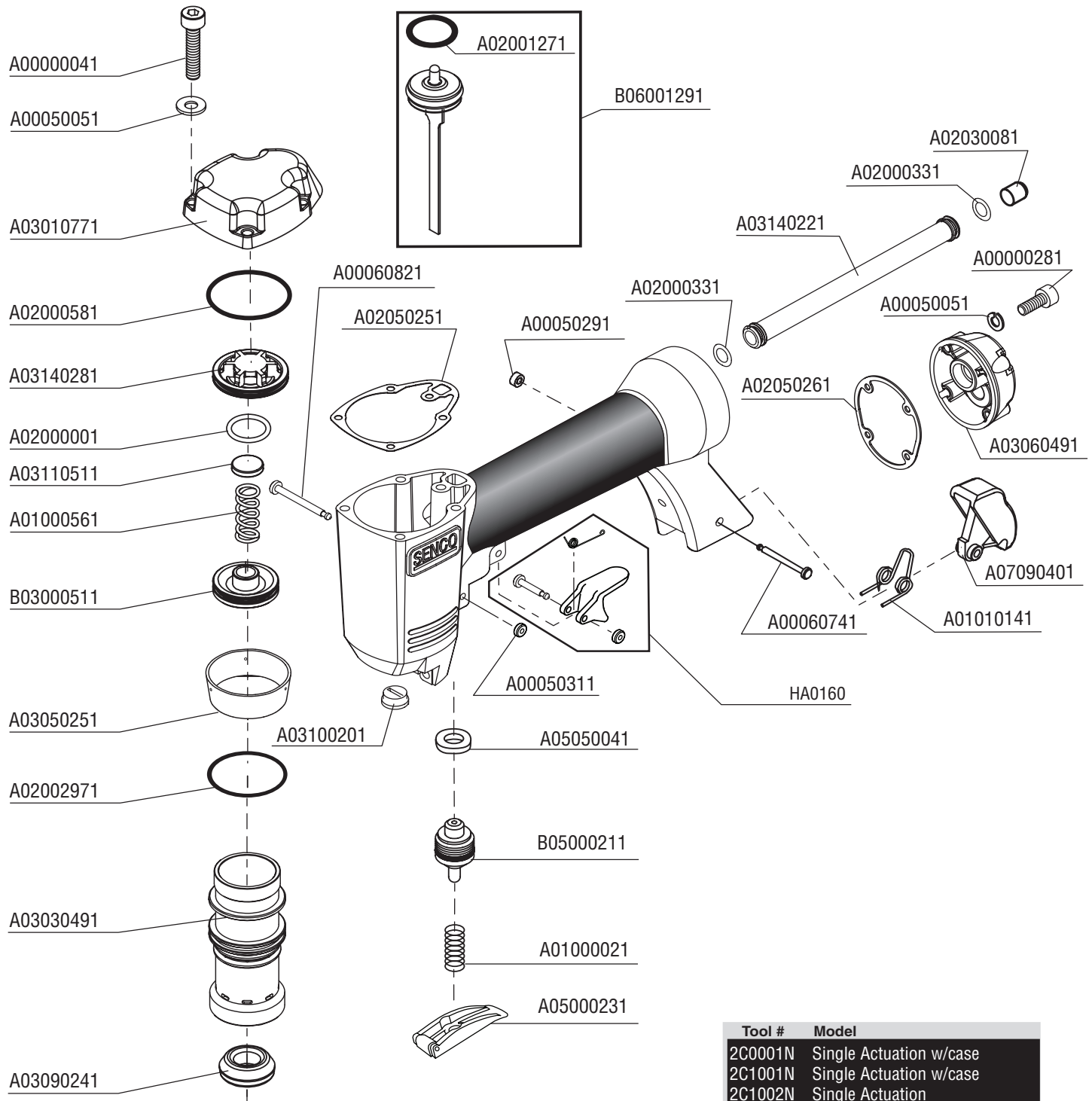
YK0397



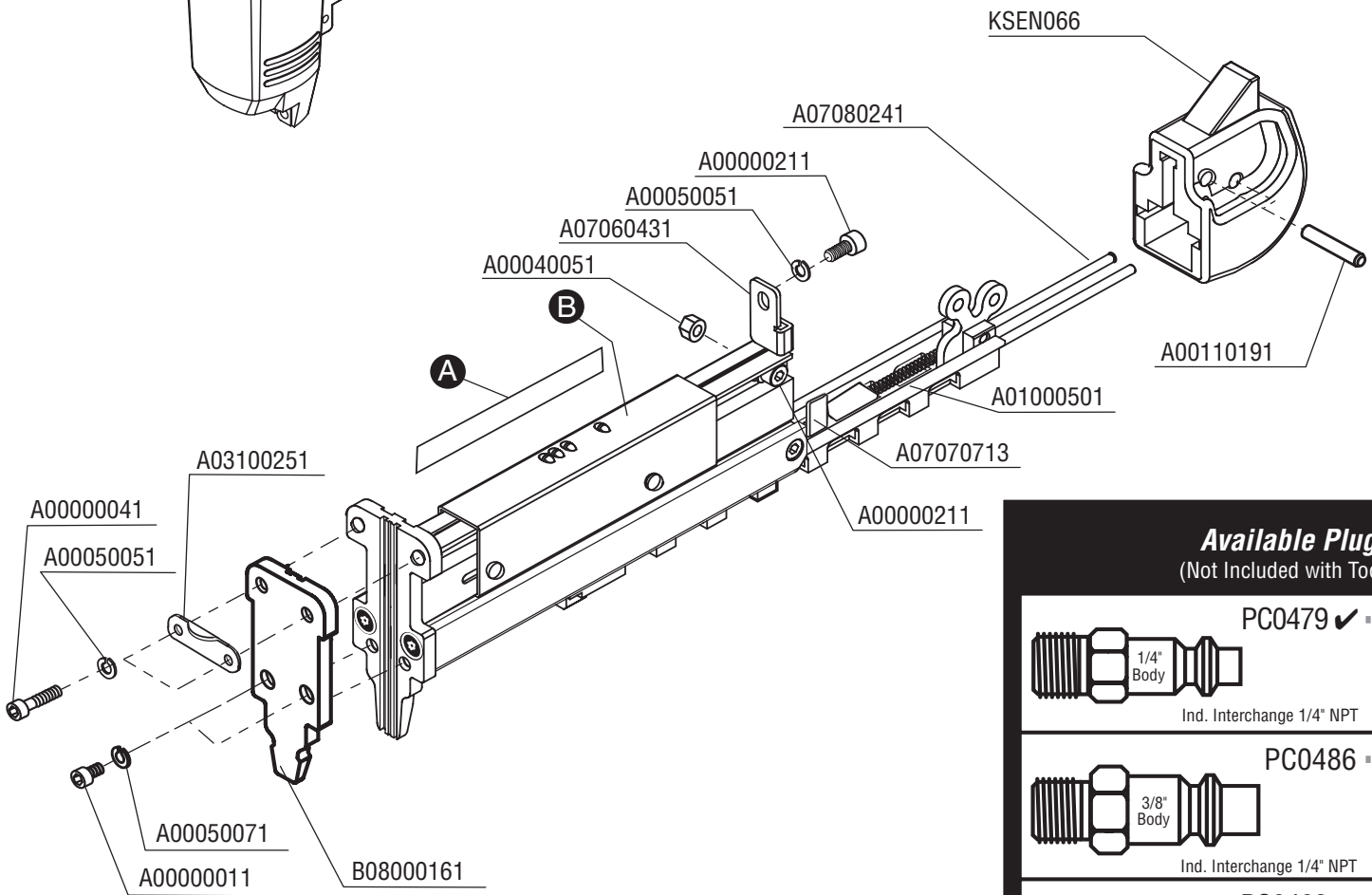
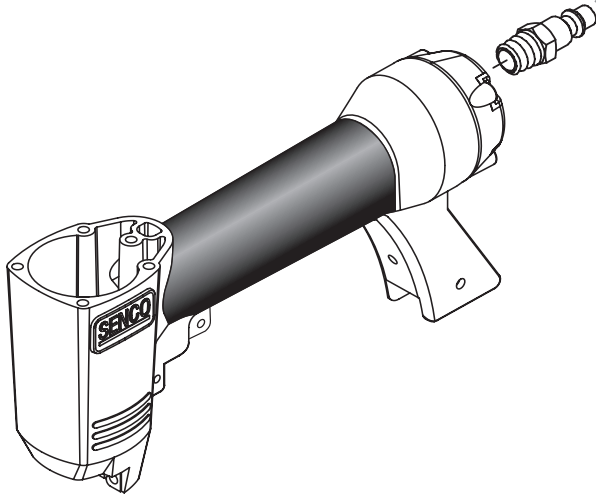
*** Schematic drawing inside**

Senco Products, Inc.
8485 Broadwell Road
Cincinnati, Ohio 45244
Visit our Website www.senco.com

Questions? Comments? call Senco's toll-free Action-line:
1-800-543-4596 (North & South America only)
or e-mail: toolprof@senco.com



Tool #	Model
2C0001N	Single Actuation w/case
2C1001N	Single Actuation w/case
2C1002N	Single Actuation
2C2001N	Single Actuation w/case
2C3001N	Single Actuation w/case
2C3002N	Single Actuation



Tool #	Model	A	B
2C0001N	Single Actuation (US)	A09230211	KSEN062
2C1001N	Single Actuation (Japan)	A09230251	KSEN064
2C1002N	Single Actuation (Japan)		
2C2001N	Single Actuation (EU)	A09230231	KSEN063
2C3001N	Single Actuation (AU)	A09230211	KSEN062
2C3002N	Single Actuation (AU)		

Available Plugs
(Not Included with Tool)

- PC0479 ✓
1/4" Body
Ind. Interchange 1/4" NPT
- PC0486
3/8" Body
Ind. Interchange 1/4" NPT
- PC0468 ✓
1/4" Body
Tru-Flate 1/4" NPT
- PC0474
3/8" Body
Tru-Flate 1/4" NPT

✓ Recommended Plugs
Plugs shown smaller than actual size

NFG02C Revised July 14, 2006 (Replaces 4/18/06) © 2001, 2006 by Senco Products, Inc. Cincinnati, Ohio 45244 - U.S.A.

FinishPro® 10 Micro Pinner

REPLACEMENT PARTS LIST • LISTA DE PARTES DE REPUESTO • ERSATZTEILE-LISTE • LISTE DE PIÈCES DE RECHANGE

PART NO.	DESCRIPTION	DESCRIPCIÓN	BESCHREIBUNG	DÉSIGNATION
A00000011	SCREW	TORNILLO	SCHRAUBE	VIS
A00000041	SCREW	TORNILLO	SCHRAUBE	VIS
A00000211	SCREW	TORNILLO	SCHRAUBE	VIS
A00000281	SCREW	TORNILLO	SCHRAUBE	VIS
A00040051	NUT	TUERCA	MUTTER	ECROU
A00050051	WASHER	ARANDELA	SCHEIBE	RONDELLE
A00050071	WASHER	ARANDELA	SCHEIBE	RONDELLE
A00050291	RETAINER	JUNTA TÓRICA	SICHERUNGSRING	RETENUE
A00050311	RETAINER	JUNTA TÓRICA	SICHERUNGSRING	RETENUE
A00060741	PIN	PASADOR	STIFT	GOUPILLE
A00060821	TRIGGER PIN	PASADOR	STIFT	GOUPILLE
A00110191	PIN	PASADOR	STIFT	GOUPILLE
A01000021	SPRING	RESORTE	FEDER	RESSORT
A01000501	SPRING	RESORTE	FEDER	RESSORT
A01000561	SPRING	RESORTE	FEDER	RESSORT
A01010141	SPRING	RESORTE	FEDER	RESSORT
A01010311	SPRING	RESORTE	FEDER	RESSORT
A02000001	SEAL	SEAL	DICHTUNG	JOINT
A02000331	SEAL	SEAL	DICHTUNG	JOINT
A02000581	SEAL	SEAL	DICHTUNG	JOINT
A02001271	SEAL	SEAL	DICHTUNG	JOINT
A02002971	SEAL	SEAL	DICHTUNG	JOINT
A02030081	MUFFLER	SILENCIADOR	DÄMPFER	SILENCIEUX
A02050251	SEAL	SEAL	DICHTUNG	JOINT
A02050261	SEAL	SEAL	DICHTUNG	JOINT
A03010771	CAP	TAPA	KAPPE	BOUCHON
A03030491	CYLINDER	CILINDRO	ZYLINDER	CYLINDRE
A03050251	RETAINER	JUNTA TÓRICA	SICHERUNGSRING	RETENUE
A03060491	COVER	CUBIERTA	CUBIERTA ABDECKUNG	COUVERCLE
A03090241	STOP	TOPE	PUFFER	ARRÊT
A03100201	BUSHING	CASQUILLO	HÜLSE	DOUILLE
A03100251	PLATE	PLACA	PLATTE	PLAQUE
A03110511	SEAL	SEAL	DICHTUNG	JOINT
A03140221	TUBE	TUBO	RÖHRE	TUBE
A03140281	VALVE	VÁLVULA	VENTIL	VALVE
A05000231	TRIGGER	GATILLO	AUSLÖSER	GÂCHETTE
A05050041	SEAL	SEAL	DICHTUNG	JOINT
A07060431	BRACKET	SOPORTE	HALTERUNG	SUPPORT DE FIXATION
A07070713	FEEDER SHOE	ALIMENTADOR	NAGELSCHIEBER	POUSSOIR
A07080241	GUIDE	GUÍA	FÜHRUNG	GUIDE
A07090401	LATCH	UÑETA	VERSCHLUSS	DOIGT DE RETENUE
A09230211 (US)	LABEL	ETIQUETA	AUFKLEBER	ÉTIQUETTE
A09230231 (Euro)	LABEL	ETIQUETA	AUFKLEBER	ÉTIQUETTE
A09230251 (Japan)	LABEL	ETIQUETA	AUFKLEBER	ÉTIQUETTE LABEL
B03000511	VALVE	VÁLVULA	VENTIL	VALVE
B05000211	VALVE	VÁLVULA	VENTIL	VALVE
B06001291	PISTON ASSEMBLY	PISTON ASSEMBLY	KOLBEN-ZUSAMMENBAU	ENSEMBLE PISTON -COUTEAU
B08000161	PLATE	PLACA	PLATTE	PLAQUE
KSEN062 (US)	MAGAZINE	CARGADOR	MAGAZIN	MAGASIN
KSEN063 (Euro)	MAGAZINE	CARGADOR	MAGAZIN	MAGASIN
KSEN064 (Japan)	MAGAZINE	CARGADOR	MAGAZIN	MAGASIN
KSEN066	PLATE	PLACA	PLATTE	PLAQUE
HA0160	TRIGGER ASSEMBLY	ASAMBLE DE GATILLO	AUSLÖSER-ZUSAMMENBAU	ENSEMBLE GÂCHETTE