

## MODEL: PN57PP

2-1/4" INDUSTRIAL COIL NAILER

**20% More power than the PN57**

- High Speed operation
- Powerful for heavy duty applications

- 360° Multi directional exhaust cover

- Cushioned rubber grip and Ergonomic frame design provide comfort and balance during operation

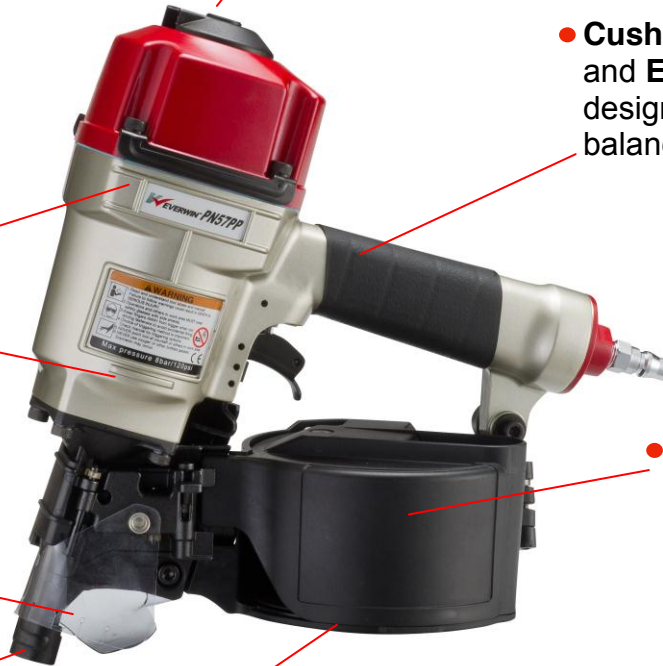
- Body Protector on enduring frame

- Dust cover blocks nails or wire chips

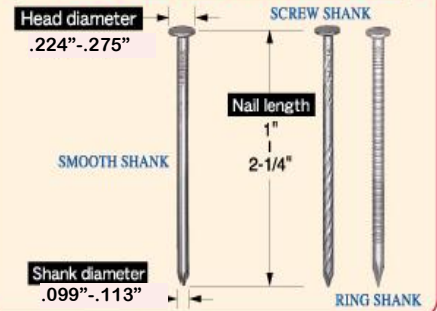
- Tough nylon, fast and easy loading magazine

- Durable nose and Anti-abrasive driver for extended tool life

- Metal nail tray, most durable in the industry



### FASTENERS APPLICABLE



### Nail Dimensions

15° Round Head Flat Coil nails  
 25 ~ 57 mm (1" ~ 2-1/4") for wire collated nails  
 Wire diameter  $\Phi$ 2.5 ~ 2.9 mm (0.099" - 0.113")

<b>WEIGHT</b>	<b>5.9 lbs / 2.69kgs</b>
<b>DIMENSIONS</b>	<b>11-9/16"(H) x 5-3/16"(W) x 10-9/16"(L)</b> <b>294mm x 132mm x 268mm</b>
<b>LOAD CAPACITY</b>	<b>250-300 nails</b>
<b>OPERATING PRESSURE</b>	<b>70 to 100 PSI (5-7 bar).</b> <b>DO NOT EXCEED 120 PSI (8bar)</b>

### APPLICATIONS

- Making wooden pallets, drums, and export wooden boxes
- Crating
- Making wooden fence
- General construction including siding, decking, panel sheathing, and framing



EVERWIN PNEUMATIC CORP.

www.everwinpneumatic.com

No.31-2, Lane 202, Jingzhuang St.,  
 Dali Dist., Taichung City 41263, Taiwan  
 TEL: (886)4 2493 -8178 ext. 21  
 FAX: (886)4 2493 -8180  
 E-mail: Arlene@everwinpneumatic.com