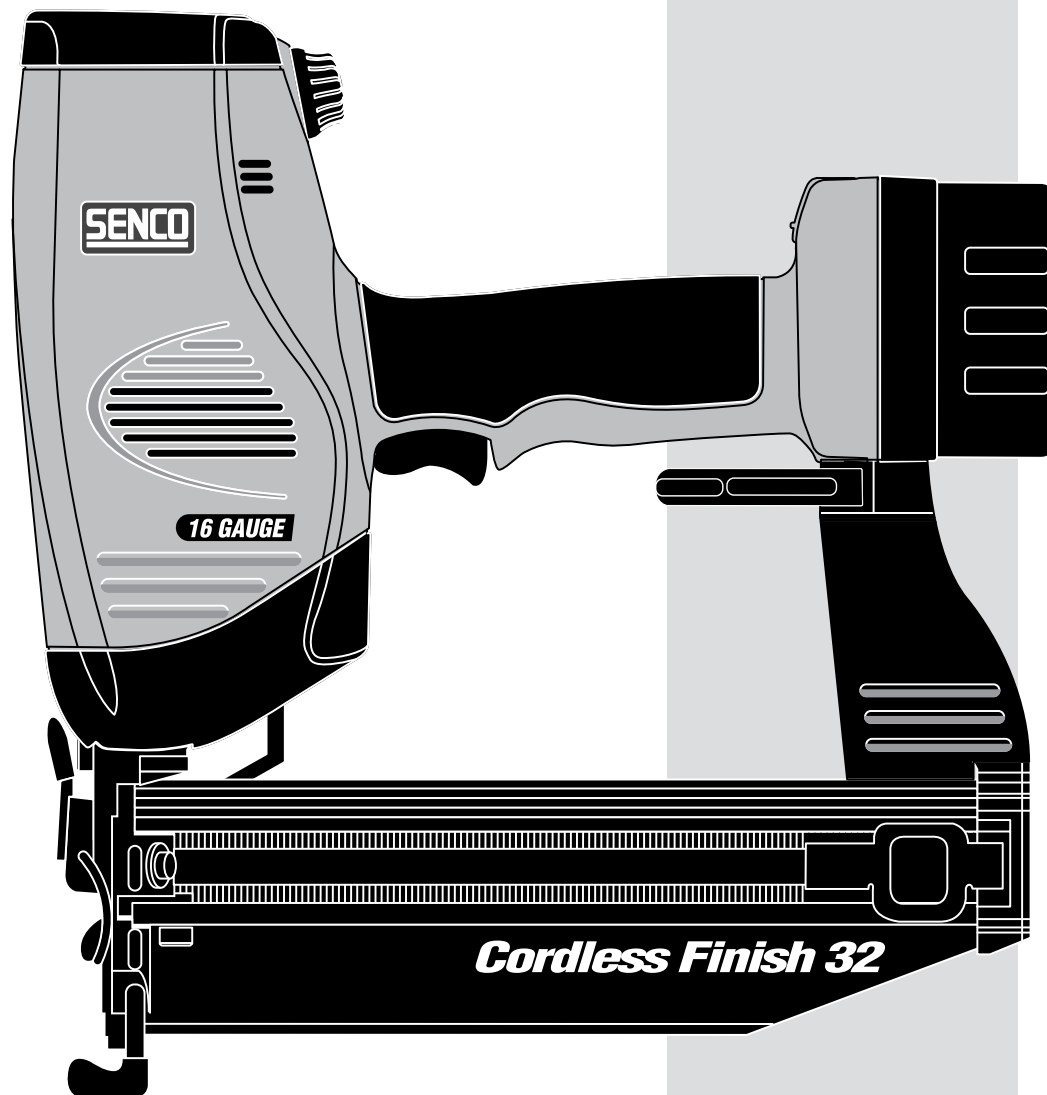


Cordless Finish 32

16 ga. Brad Nailer



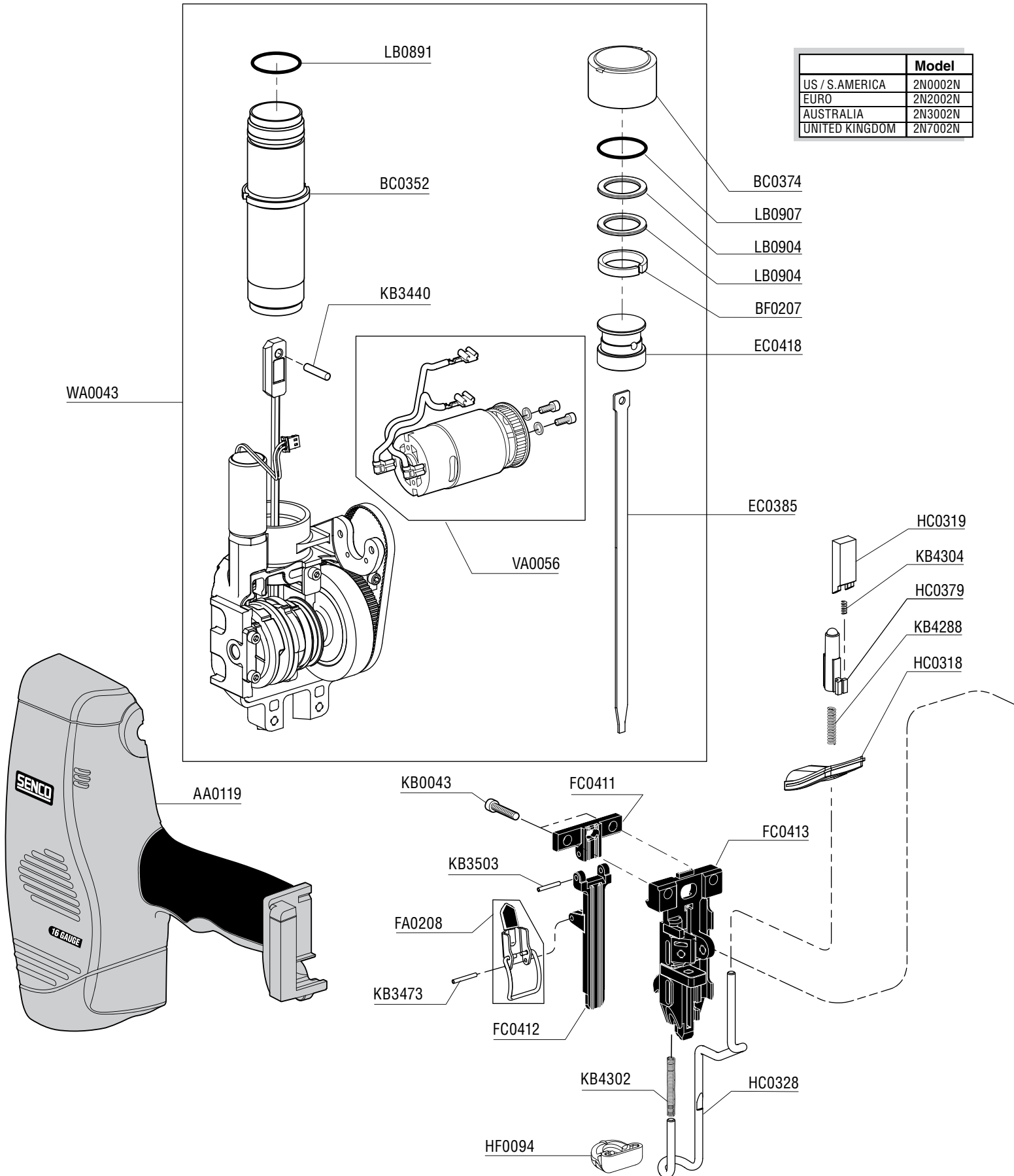
Parts Reference Guide

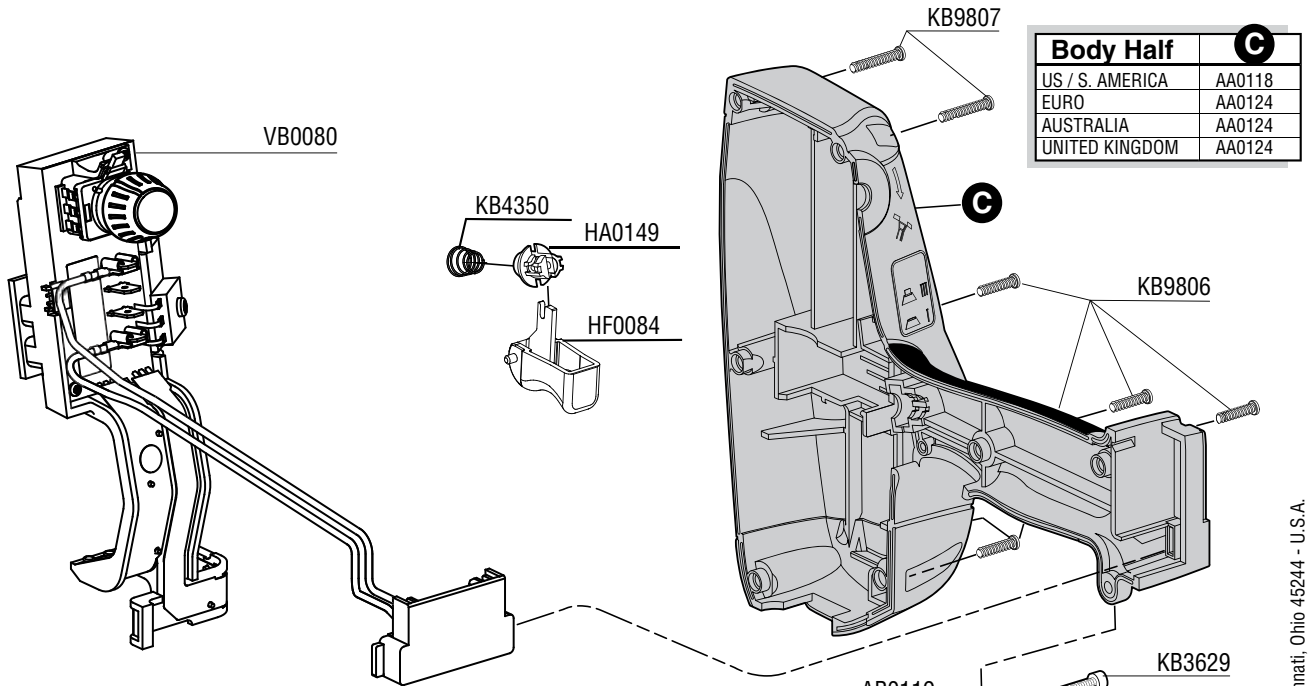


* Schematic drawings inside

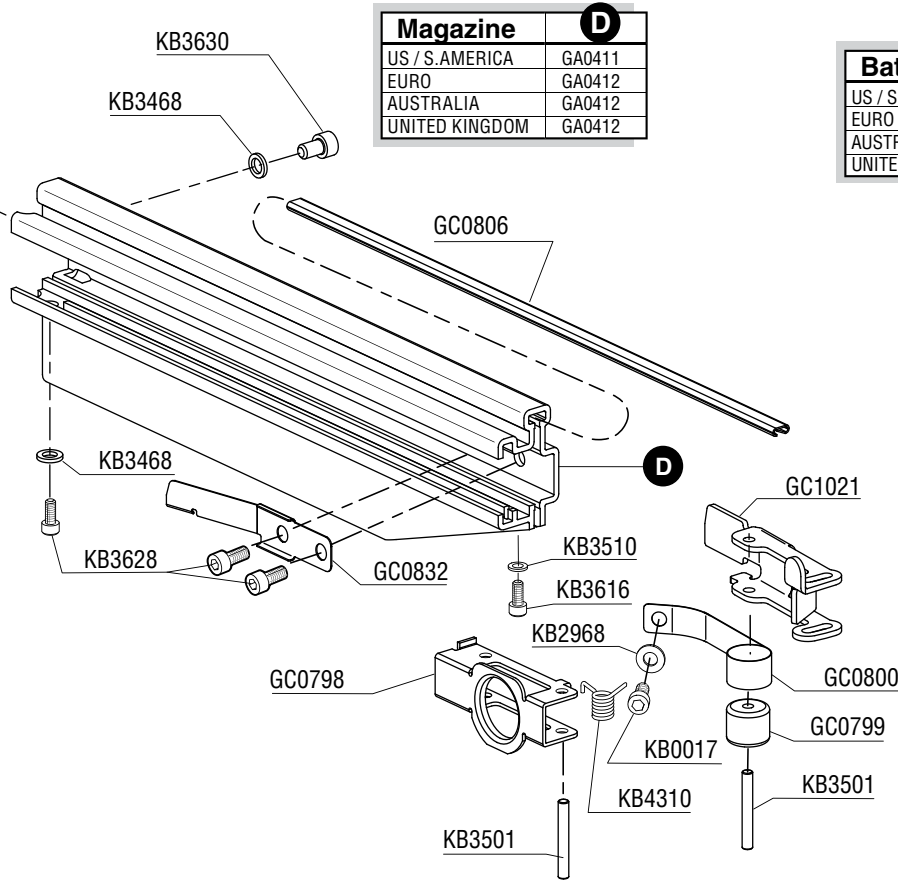
SENCO PRODUCTS, INC.
8485 Broadwell Road.
Cincinnati, Oh. 45244
www.senco.com

Questions? Comments? call SENCO's toll-free Action-line:
1-800-543-4596 (North & South America only)
or e-mail: toolprof@senco.com



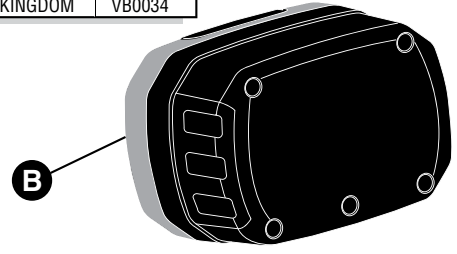


| Body Half | | C |
|------------------|--------|----------|
| US / S. AMERICA | AA0118 | |
| EURO | AA0124 | |
| AUSTRALIA | AA0124 | |
| UNITED KINGDOM | AA0124 | |

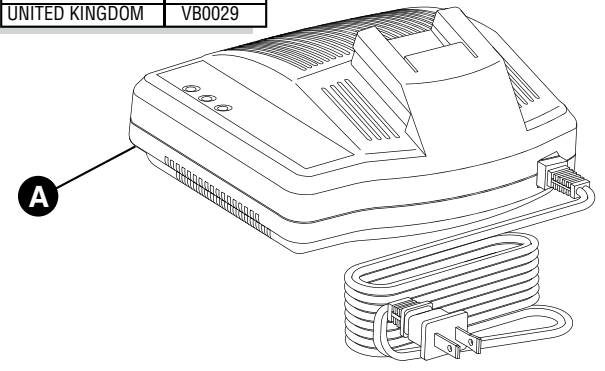


| Magazine | | D |
|-----------------|--------|----------|
| US / S. AMERICA | GA0411 | |
| EURO | GA0412 | |
| AUSTRALIA | GA0412 | |
| UNITED KINGDOM | GA0412 | |

| Battery | | B |
|-----------------|--------|----------|
| US / S. AMERICA | VB0023 | |
| EURO | VB0034 | |
| AUSTRALIA | VB0034 | |
| UNITED KINGDOM | VB0034 | |



| Charger | | A |
|-----------------|--------|----------|
| US / S. AMERICA | VB0002 | |
| EURO | VB0026 | |
| AUSTRALIA | VB0028 | |
| UNITED KINGDOM | VB0029 | |



Cordless Finish® 32 16 ga. Cordless Finish Nailer

REPLACEMENT PARTSLIST • LISTA DE PARTES DE REPUESTO • ERSATSTEILE-LISTE • LISTE DE PIÈCES DE RECHANGE

| PART NO. | DESCRIPTION | DESCRIPCIÓN | BESCHREIBUNG | DÉSIGNATION |
|----------|---------------------------------|--------------------|------------------------|---------------------|
| AA0118 | BODY, RIGHT HALF (US / S AMER) | CARCASA | GEHÄUSE | CORPS |
| AA0119 | BODY, LEFT HALF | CARCASA | GEHÄUSE | CORPS |
| AA0124 | BODY, RIGHT HALF (EU / AU / UK) | CARCASA | GEHÄUSE | CORPS |
| AB0119 | BELT HOOK | GANCHO DE CINTURÓN | GURTHAKEN | CROCHET DE CEINTURE |
| BC0352 | SLEEVE, CYLINDER | CILINDRO | ZYLINDER | CYLINDRE |
| BC0374 | CAP, SLEEVE | TAPA | KAPPE | BOUCHON |
| BF0207 | GUIDE RING | CASQUILLO | HÜLSE | DOUILLE |
| EC0385 | DRIVER | PERCUSOR | TREIBER | COUTEAU |
| EC0418 | PISTON | PISTON | KOLBEN | PISTON |
| FA0208 | LATCH | UNETA | VERSCHLUSS | DOIGT DE RETENUE |
| FC0411 | PLATE, TOP FRONT | PLACA | PLATTE | PLAQUE |
| FC0412 | PLATE, BOTTOM FRONT | PLACA | PLATTE | PLAQUE |
| FC0413 | BACKPLATE | PLACA | PLATTE | PLAQUE |
| GA0411 | RAIL ASSY (US / S AMER) | CARRIL | SCHIENE | RAIL |
| GA0412 | RAIL ASSY (EURO / AUST / UK) | CARRIL | SCHIENE | RAIL |
| GC0798 | FEEDER SHOE CARRIAGE | ALIMENTADOR | NAGELSCIEBER | POUSSOIR |
| GC0799 | ROLLER | RODILLO | ROLLE | GALET |
| GC0800 | SPRING | RESORTE | FEDER | RESSORT |
| GC0805 | BRACKET, MOUNTING | SOPORTE | HALTERUNG | CAVALIER |
| GC0806 | INSERT, UPPER RAIL | ACOPLAMIENTO | EINSATZ | INSERT |
| GC0832 | RETAINER | JUNTA TORICA | SICHERUNGSRING | RETENUE |
| GC1021 | FEEDER SHOE | ALIMENTADOR | NAGELSCIEBER | POUSSOIR |
| HA0149 | SLIDE, TRIGGER | PLACA | PLATTE | PLAQUE |
| HC0318 | COVER | CUBIERTA | ABDECKUNG | COUVERCLE |
| HC0319 | RETAINER | JUNTA TORICA | SICHERUNGSRING | RETENUE |
| HC0328 | SAFETY ELEMENT | ASAMBLE DE SEGURO | SICHERHEITSVORRICHTUNG | PALPEUR DE SÉCURITÉ |
| HC0379 | HOUSING, SAFETY PLUNGER | ALOJAMIENTO | GEHÄUSE | CORPS |
| HF0084 | TRIGGER | GATILLO | AUSLÖSER | GÂCHETTE |
| HF0094 | NO-MAR PAD | AMORTIGUADOR | SCHUTZ | COUSSIN |
| KB0017 | SCREW | TORNILLO | SCHRAUBE | VIS |
| KB0043 | SCREW | TORNILLO | SCHRAUBE | VIS |
| KB2968 | WASHER, FLAT | ARANDELA | SCHIBE | RONDELLE |
| KB3440 | PIN, PISTON/DRIVER | PASADOR | STIFT | GOUPILLE |
| KB3468 | WASHER, FLAT | ARANDELA | SCHIBE | RONDELLE |
| KB3471 | NUT | TUERCA | MUTTER | ECROU |
| KB3473 | PIN | PASADOR | STIFT | GOUPILLE |
| KB3501 | PIN | PASADOR | STIFT | GOUPILLE |
| KB3503 | PIN | PASADOR | STIFT | GOUPILLE |
| KB3510 | WASHER, FLAT | ARANDELA | SCHIBE | RONDELLE |
| KB3616 | SCREW | TORNILLO | SCHRAUBE | VIS |
| KB3628 | SCREW | TORNILLO | SCHRAUBE | VIS |
| KB3629 | SCREW | TORNILLO | SCHRAUBE | VIS |
| KB3630 | SCREW | TORNILLO | SCHRAUBE | VIS |
| KB4288 | SPRING | RESORTE | FEDER | RESSORT |
| KB4302 | SPRING | RESORTE | FEDER | RESSORT |
| KB4304 | SPRING | RESORTE | FEDER | RESSORT |
| KB4310 | SPRING, TORSION | RESORTE | FEDER | RESSORT |
| KB4350 | SPRING | RESORTE | FEDER | RESSORT |
| KB9806 | SCREW | TORNILLO | SCHRAUBE | VIS |
| KB9807 | SCREW | TORNILLO | SCHRAUBE | VIS |
| LB0891 | SEAL | SELLO | DICHTUNG | JOINT |
| LB0904 | SEAL | SELLO | DICHTUNG | JOINT |
| LB0907 | SEAL | SELLO | DICHTUNG | JOINT |
| VA0056 | MOTOR, DRIVE ASY | MOTOR IMPULSOR | ANTRIEBSMOTOR | MOTEUR, ENTRA |
| VB0002 | CHARGER (US / S AMER)) | CARAGADOR | LADEGERÄT | CHARGEUR |
| VB0023 | BATTERY (US / S AMER) | BATERIA | BATTERIE | BATTERIE |
| VB0026 | CHARGER (EURO) | CARAGADOR | LADEGERÄT | CHARGEUR |
| VB0028 | CHARGER (AUSTRALIA) | CARAGADOR | LADEGERÄT | CHARGEUR |
| VB0029 | CHARGER (U.K.) | CARAGADOR | LADEGERÄT | CHARGEUR |
| VB0034 | BATTERY (EURO/AUST/UK) | BATERIA | BATTERIE | BATTERIE |
| VB0080 | PCB HOUSING | ALOJAMIENTO | GEHÄUSE | CORPS |
| WA0043 | CHASSIS SUB-ASY | CHASIS | GEHÄUSE | CHASSIS |